

DINEXPRESS TRAY/PLATE STAND

Compliant with
NSF/ANSI Standard 2



DXPCTS
(shown with optional
napkin dispenser)

Item Numbers

DXPCTS
DXPBPS

The DineXpress Tray or Plate Stand is a must to begin your line-up. It's versatile design provides a place for all the required utensils. DineXpress units are compatible and will interlock with other DineXpress units. This allows the units to be disconnected for cleaning under the serving line.

Standard Features

- 14-gauge stainless steel top with 1-1/2" turndown on all sides
- Top secured by four recessed bolts
- 14-gauge stainless steel legs fastened to 18-gauge stainless steel bottom shelf
- 20-gauge stainless steel panels are attached to legs
- 5" diameter swivel plate casters, 2 with brakes
- Interlocking mechanism is provided to interlock with other DineXpress units
- 6 plastic cylinders

Dimensions

DXPCTS – 36"H x 28"D x 32"L

DXPBPS – 36"H x 28"D x 39"L

36" height on all standard units

30" height is available on Petite Elite units

28" width

32" length for the CTS and 39" for the BPS

DXCTS

- Cutouts in the top for six silverware cups and an optional drop-in style napkin dispenser
- 20-gauge stainless steel inner shelf to accommodate a single stack of trays up to 15" x 20" with a capacity of up to 75 trays to the top of the unit

DXBPS

- Cutouts in the top for five silverware cups
- 20-gauge stainless steel end panels and two inner shelves to accommodate three stacks of 9" plates on each side with shelves sloped toward the center wall

Common Options

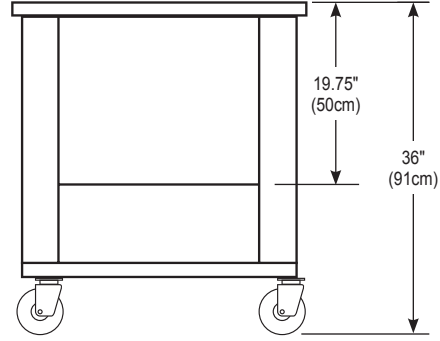
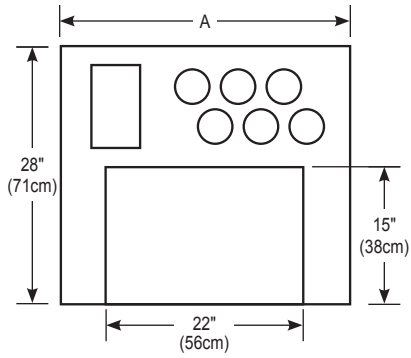
- Pizzazz powder coating in lieu of stainless steel
- Napkin dispenser
- Legs in lieu of casters
- Stainless steel cylinders
- See reverse side for additional options.

Warranty

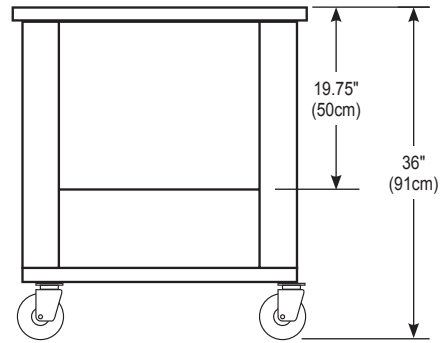
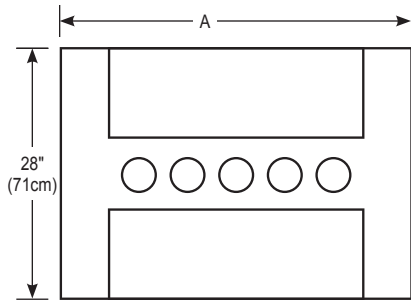
One year parts and labor.

DINEXPRESS TRAY/PLATE STAND

Model CTS



Model BPS



Items and Dimensions

ITEM NUMBER	LENGTH (A)	WIDTH	HEIGHT	SHIP WEIGHT (LBS)
DXPCTS	32" (81cm)	28" (71cm)	36" (91cm)	160
DXPBPS	39" (99cm)	28" (71cm)	36" (91cm)	160

Optional Accessories

ITEM NO	DESCRIPTION
DXPPPC	Pizzazz Powder Coating
0098241	Napkin Dispenser - hold napkins 6 -1/2" x 4-1/4" to 6 -1/2" x 5-1/4"
0098240	Napkin Dispenser for CTS ONLY - hold napkins 6-1/2" x 3-1/2"
SSL	Legs in lieu of casters
FRMA	Formica laminate finish
SKR	Skirting

Please confirm that you have the most current specification sheet by visiting www.dinex.com.

It is Dinex's policy to offer equipment which is design certified by companies that have been accredited at the federal level by the Occupational Safety and Health Agency (OSHA) and ANSI as a national recognized testing laboratory. These companies include CSA International, Underwriters Laboratories, Edison Testing Laboratories and National Sanitation Foundation. However, a continuing program of product improvement makes it necessary to submit new models to the agencies as they are developed. Consequently, all models may not bear the appropriate labels at all times.

Dinex reserves the right to change specifications and product design without notice. Such revisions do not entitle the buyer to corresponding changes, improvements, additions or replacements for previously purchased equipment.

