

## DINEXPRESS CASHIER STAND WITH LOCKING DRAWER

Compliant with  
NSF/ANSI Standard 2



DXP2CD

DineXpress Cashier Stand is a comfortable workstation. Ideal for use in cafeteria/buffet lines. DineXpress features EZ-Connect latching system or the cashier stand can be operated as a freestanding separate unit.

DineXpress Corner Units are ideal for making L-shaped line-ups to fit your specific needs. DineXpress features EZ-Connect latching system.

### Standard Features

- 14-gauge stainless steel top with 1-1/2" turndown on all sides
- Top secured by four recessed bolts for easy access
- 14-gauge stainless steel legs fastened to 18-gauge stainless steel bottom shelf
- 20-gauge stainless steel end and front panels are attached to legs
- Standard unit comes with a solid bottom
- Hole in top with bushing for cash register cord (standard)
- Locking drawer (standard)
- 5" diameter swivel plate casters, 2 with brakes
- Interlocking mechanism is provided to interlock with other Elite units
- The utility drawer is centered in the panel on the open side and mounted on roller bearing slides

### Dimensions

- 2-CD - with drawer - 36"H x 28"D x 30"L
- 2-CR - corner unit - 36"H x 28"D x 28"L
- 36" height on all standard units
- 30" height is available on Petite Elite units
- 28" width
- 30" length

### Options

- Pizzazz powder coating in lieu of stainless steel
- Tray slides
- Tubular foot rest
- Duplex outlet

### Item Numbers

Cashier Stand with Locking Drawer  
DXP2CD

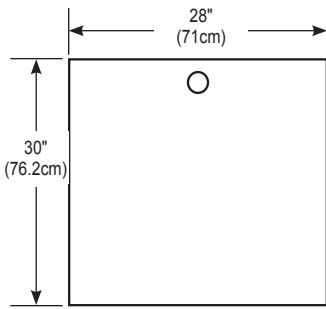
Corner Unit  
DXP2CR

Mitered Corner Unit  
DXP2MCU

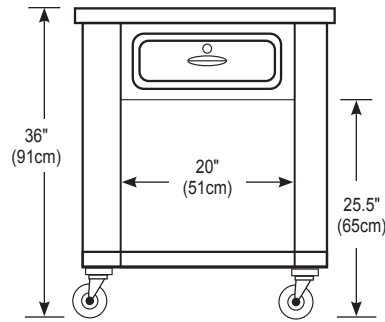
### Warranty

One year parts and labor.

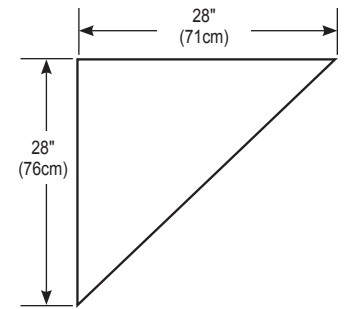
# DINEXPRESS CASHIER STAND WITH LOCKING DRAWER



Model No DXP2CD



Model No DXP2CR



Model No DXP2MCU

## Items and Dimensions

ITEM NUMBER	LENGTH	WIDTH	HEIGHT	SHIP WEIGHT (LBS)
DXP2CD	30" (76cm)	28" (71cm)	36" (91cm)	165
DXP2CR	28" (71cm)	28" (71cm)	36" (91cm)	160
DXP2MCU	—	28" (71cm)	36" (91cm)	140
Drawer	19" (48cm)	16" (41cm)	2.5" (6cm)	—

Drawer is 16" (41cm) W x 19" (48cm) L x 2.5" (6cm) D

## Dimension Additions For Options

- Add 12-3/4" to width for solid ribbed tray slide
- Add 12-1/2" to width for 3-bar tray slide

Note: Line-up drawing required when ordering false front, cashier stand or interconnected units.

ITEM NO	DESCRIPTION
PPC	Pizzazz Powder Coating
SRTS	Solid 3-ribbed tray slide, 16-gauge stainless steel
3BTS	3-bar tray slide
SSL	Legs in lieu of casters
DOUT	Duplex outlet (120V, 15 AMP)
FRMA	Formica laminate finish without doors
TFR	Tubular foot rest
SKR	Skirting

Please confirm that you have the most current specification sheet by visiting [www.dinex.com](http://www.dinex.com).

It is Dinex's policy to offer equipment which is design certified by companies that have been accredited at the federal level by the Occupational Safety and Health Agency (OSHA) and ANSI as a national recognized testing laboratory. These companies include CSA International, Underwriters Laboratories, Edison Testing Laboratories and National Sanitation Foundation. However, a continuing program of product improvement makes it necessary to submit new models to the agencies as they are developed. Consequently, all models may not bear the appropriate labels at all times.

Dinex reserves the right to change specifications and product design without notice. Such revisions do not entitle the buyer to corresponding changes, improvements, additions or replacements for previously purchased equipment.

